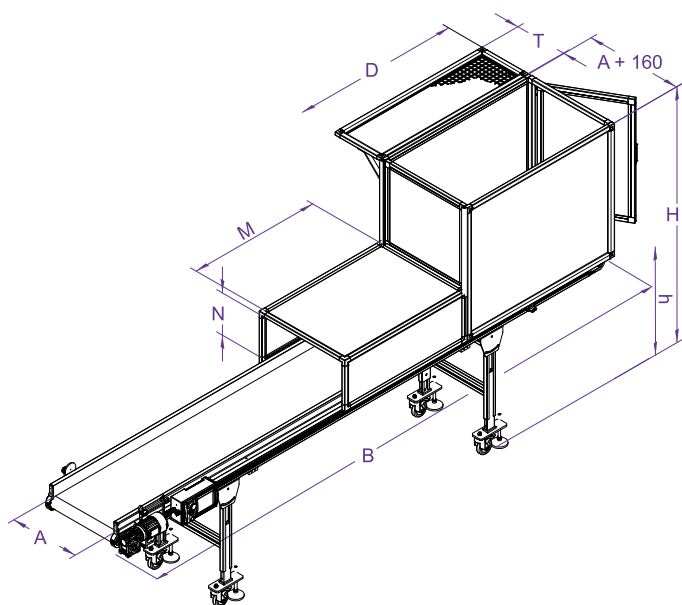


technical features

- Structure made of aluminium anodised profile height 90 mm
- With side panels height 80 mm
- Without possibility to work inclined
- Smooth PU belt, without slats, vulcanised belt joint. Temperature resistance from -10°C to + 90°C
- Transmission group composed of: three-phase motor, coupled to worm reduction unit with lubrication for life
- Fixed standard speed ~4 m/min
- Equipped with Start/Stop motor cut-out
- Standard motor supply voltage 400V/50 Hz



required dimensions

A (mm) _____

B (mm) _____

D (mm) _____

H (mm) _____

h (mm) _____

M (mm) _____

N (mm) _____

T (mm) _____

capacity Kg _____

material to convey

specify presence of lubricant colorant or other fluid if present

NOTE

optional

SUPPORTING LEGS

- with rotative wheels and brake
- with antivibrating feet
- with both rotative wheels and antivibrating feet
- without supporting legs

CONTAINMENT EDGES

- with standard edges h 80 mm
- with special edges h _____mm
- with adjustable edges in width _____mm in height _____mm

CONVEYOR BELT

- smooth:
in PU grey colour with slats h _____mm and pitch _____mm
- high grip:
high grip grey colour with / without slats
- hytrel for high temperature

TRANSMISSION GROUP

- mounted on the RIGHT side
- mounted underneath the belt
- with drum motor

ROBOT PROTECTION

- polycarbonate made
- galvanized net made
- protective roof on
the [] right or [] left side

CONTROL PANEL - REQUIRED FUNCTIONS

- START / STOP (standard)
- INVERTER
independently from the functions programmed in the control panel, it is always possible to adjust the conveyor speed
- ROBOT - PULSE
a clean signal coming from the Robot decides the Start of the conveyor. When the running time is over the control panel stops the conveyor and waits for the next signal to repeat the cycle. The panel is complete with a plug for its connection to the external signal
- FEEDER
a clean signal coming from the Robot decides the Start of the conveyor. The conveyor runs for the duration of the signal coming from the Robot. The panel is complete with a plug for its connection to the external signal
- PAUSE - WORK
programming the control board in this function, it is possible to set the conveyor's STOP and WORK time, causing his intermittent advancing, independently from any external signal