

The **SX series** granulator represent a totally new generation of granulation technology in the **NEUE HERBOLD** product line.

Through the upgraded technical advantages of this series, it is now possible to solve difficult plastics size reduction applications.

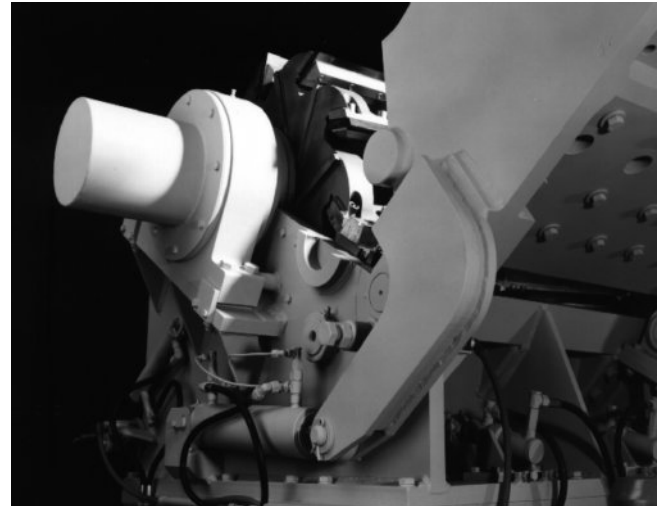
Special engineering features of this granulator series are ist the durability and wear resistant construction in conjunction with a higher through put rate. Additionally, the further development of shorter maintenance requirements are proof of the engineering competence operating at the **NEUE HERBOLD** plant.

The granulators in the **SX series** are presently available in three sizes, working widths are:

1200 mm (47 in.), 1600 mm (63 in.) and 2000 mm (78 in.) - utilizing a rotor diameter of 800 mm (31 in.).

Drive motors range from 90 kW (125 hp) to 250 kW (340 hp).

The new type of knife configuration, which is the **CHEVRON TYPE ROTOR/STATOR KNIFE** setup, enhances the present advantages of the double cross cut of the “ S “ rotor series made by **NEUE HERBOLD** and results in a higher through put rate with lower energy consumption and lower noise level factors during operation.



Upon request the granulator can be equipped with replaceable wear plates that are located on specific product contact areas.

Depending on the screen size and the type of material being fed into the granulator, rates ranging from 2 - 15 metric tons (4 - 33,000 LBS.) can be safely and consistantly achieved.

A noticable advantage on the **SX series** is the overall compact construction. This enables the granulator to be situated in smaller then standard areas;

All machines in this series utilize a length of 2900 mm (114 in.).

Another interesting detail regarding this series is that the granulator housing is considerably more stabile then any other manufacture of this type.

The **SX series** is an extremely variable granulator in regard to material application.

Through implication of basic modification the granulator can be used for film, purgings and forms of hollow bodied parts from various types of plastics.

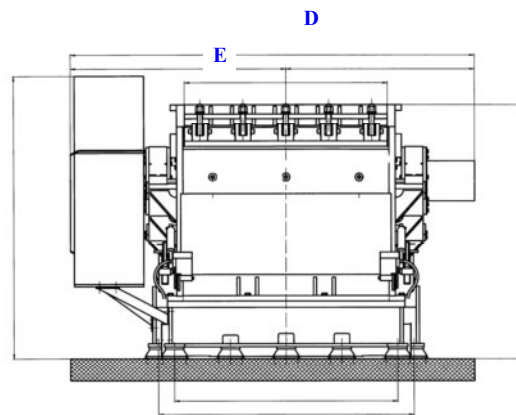
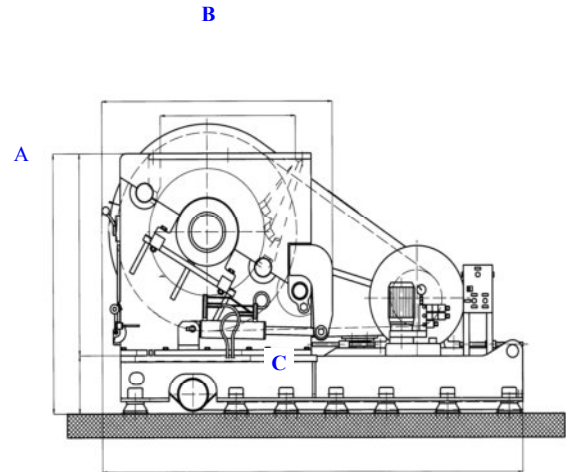
Size reduction of BOPP/BOPET/PP in-line and off-line, sheet applications, PP-big bag and bottle crate recycling are basic examples of the wide range of applications that can be processed using this new generation of granulators.

In comparison to the **NEUE HERBOLD** standard SM series machines the advantages of the **SX series** can be measured.

Application tests performed in our test facility have proven that the new rotor configuration and cutting geometry have resulted in energy savings of up to 20 %.

The machine maintenance “down time” during knife changes and adjustment has been further reduced.

As with all machines in the **NEUE HERBOLD** product line, the **SX series** granulators will process the most difficult applications and is tailor made to meet the demands of today's modern recycling plants.



Main Dimensions

	A	B	C	D	E
SX 800/1200	1645 mm (64 in.)	940 mm (37 in.)	2920 mm (114 in.)	2585 mm (101 in.)	1300 mm (51 in.)
SX 800/1600	1645 mm (64 in.)	940 mm (37 in.)	2920 mm (114 in.)	2990 mm (117 in.)	1700 mm (67 in.)
SX 800/2000	1645 mm (64 in.)	940 mm (37 in.)	2920 mm (114 in.)	3400 mm (133 in.)	2100 mm (82 in.)