

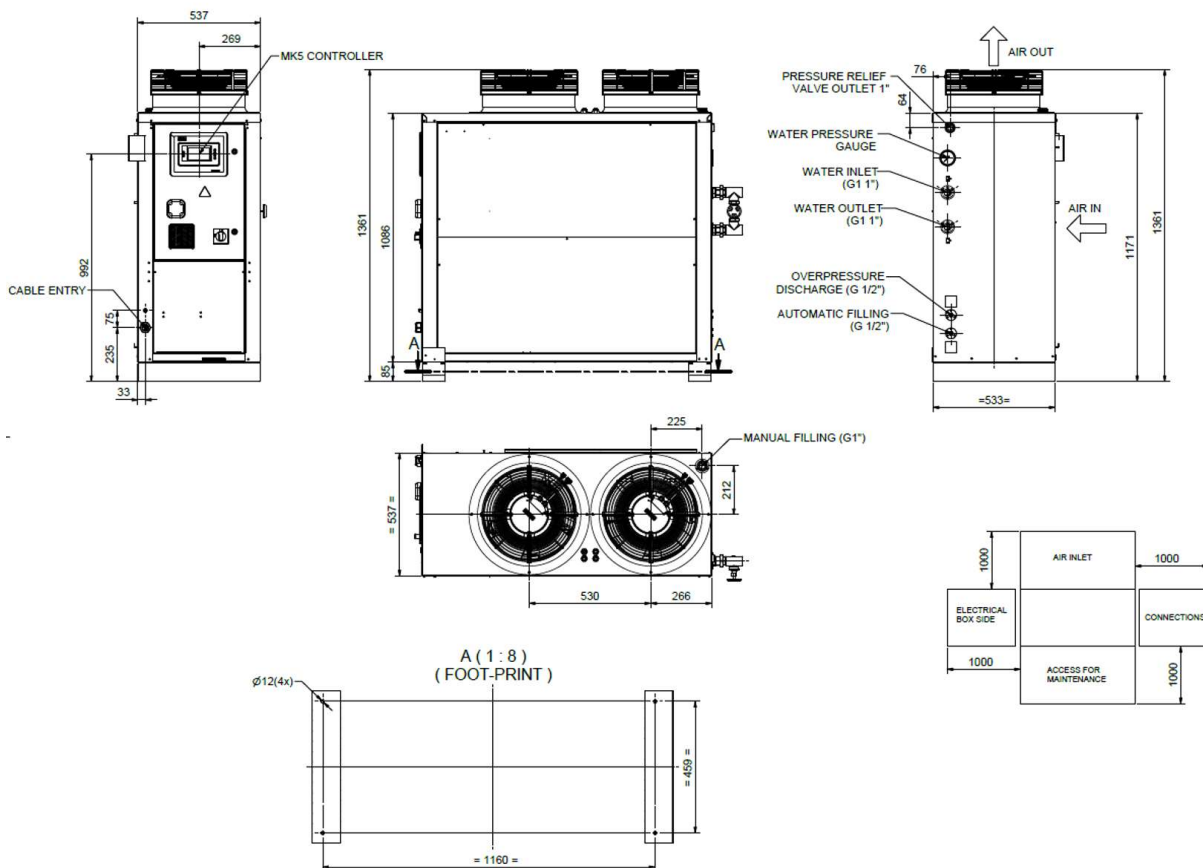
Quotation nr.

OFF-01201-Z9C4H2 15/06/2026

Air-Cooled Water Chiller unit model

**GCE 18AG-50-IEC-400-AT3-FS**

**Dimensional Drawing**



**Operational Limits**

Fluid type	Operational Area
Water	A
Ethylene glycol min. 15%	B
Ethylene glycol min. 20%	C
Ethylene glycol min. 25%	D
Ethylene glycol min. 40%	E
Oversized pump	
EC fan	T < -5°C
Selected operating point	<span style="color: red;">•</span>

